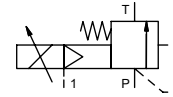


pressure limitation valve

type **SPB-S 15**



control valve proportional
pressure range PN 5-64 bar
orifice DN 15 mm
connection thread
function stepless
 pressure regulation
 bypass version



Above stated body materials refer to the valve port connections that get in contact with the media only!

design externally controlled with spring return
body materials ① ④
 ② steel, galvanized ⑤
 ③ ⑥
valve seat metal on metal
seal materials FPM, PTFE

details needed for main valve

- orifice
- port
- pressure regulating range
- flow rate
- media
- media temperature
- ambient temperature

details needed for proportional valve

- nominal voltage
- actuation pressure range min/max

ports SPB threads G 1
function stepless regulation
pressure regulation range bar 5-64
Kv value m³/h 6,0
media liquid - highly viscous - contaminated
abrasive media
flow direction P ⇌ T as marked
operating time ms < 900
media temperature °C 0 to +60
ambient temperature °C 0 to +50
approvals
mounting mounting holes
weight kg 2,7
additional equipment

general specifications

options

SAE connection DIN ISO 6162

electrical specifications

options

nominal voltage U_B DC 24 V (max. residual ripple 10%)
power consumption DC < 0,7 A
control signals U_E 0-10 V (R_e 100KΩ)
protection IP65 acc. DIN 40 050
energized duty rating ED 100% (observe the connection conditions accordingly)
connection plug with 7 contacts / wire diameter 6-8 mm

pneumatic specifications

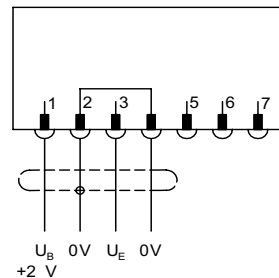
options

actuation pressure range bar see actuation pressure-diagram
air consumption DIN ISO 8573-1 grade of compressed air quality 5/4/3
control by 3/2-way proportional valve
actuator ports 1 G 1/8

The valves' technical design is based on media and application requirements. This can lead to deviations from the general specifications shown on the data sheet with regards to the design, sealing materials and characteristics.

If order or application specifications are incomplete or imprecise there exists a risk of an incorrect technical design of the valve for the required application. As a consequence, the physical and / or chemical properties of the materials or seals used, may not be suitable for the intended application.

connection plan



connection conditions

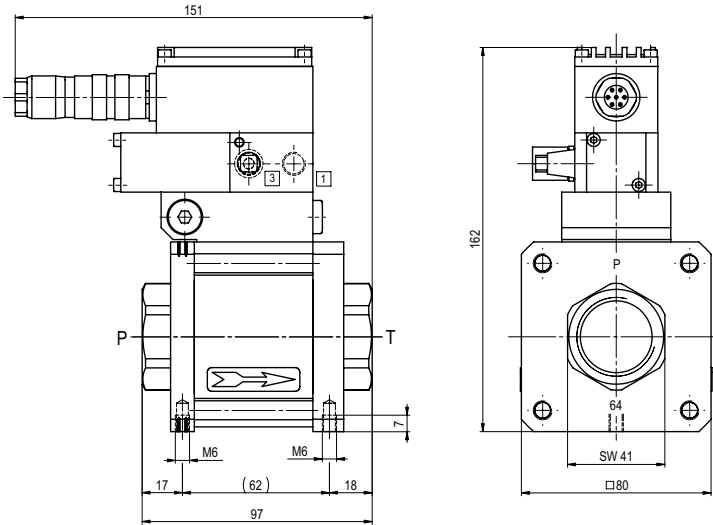
When supplying the electrical set point signal to the proportional valve, the actuating air must already be present. (see actuation pressure-diagram)

position of installation

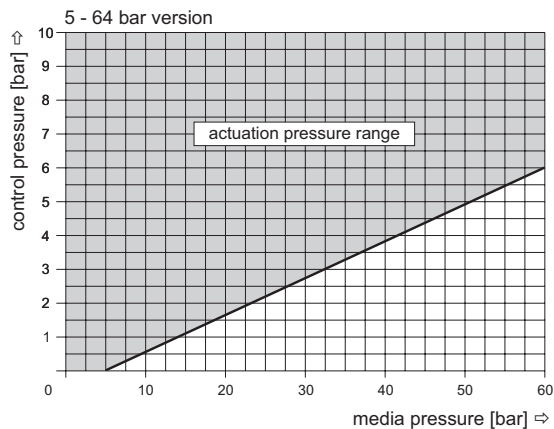
arbitrarily, but regulator not downwards

■ specifications not highlighted are standard
 ■ specifications highlighted in grey are optional

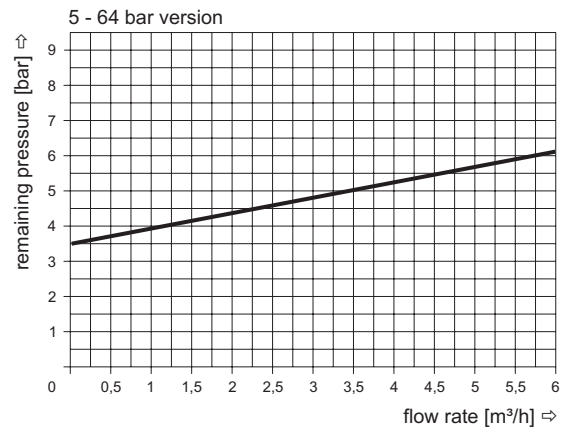
type SPB-S 15



actuation pressure-diagram



pressureless circulation mode



Sound creation during low pressure circulation mode and flow $Q=6 \text{ m}^3/\text{h}$: ca. 70 dbA