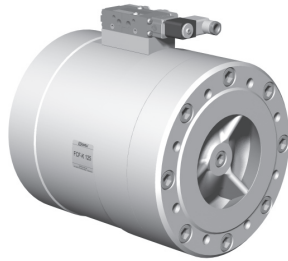


# coaxial valve

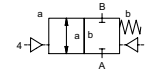
## type FCF-K 125

### 5-FCF-K 125

valve type with pilot valve



**2/2 way valve** externally controlled  
**pressure range** PN 0-40 bar  
**orifice** DN 125 mm  
**connection** flange  
**function** valve normally closed  
**symbol** **NC**



**△** Above stated body materials refer to the valve port connections that get in contact with the media only!

**design** pressure balanced, with spring return

**body materials** ① aluminium ②  
 ③ ⑤  
 ④ ⑥

**valve seat** synthetic resin on metal

**seal materials** NBR, PU PTFE, FPM, PE

**details needed for main valve**

- orifice
- port
- function NC
- operating pressure
- flow rate
- media
- media temperature
- ambient temperature
- type of actuation

**details needed for pneumatic actuation**

- nominal voltage
- type of protection
- actuation pressure range min/max
- pilot valve type

**details needed for hydraulic actuation**

- actuation pressure range min/max
- hydraulic control valve function

**⚠** The valves' technical design is based on media and application requirements. This can lead to deviations from the general specifications shown on the data sheet with regards to the design, sealing materials and characteristics.

**⚠** If order or application specifications are incomplete or imprecise there exists a risk of an incorrect technical design of the valve for the required application. As a consequence, the physical and / or chemical properties of the materials or seals used, may not be suitable for the intended application.

■ specifications not highlighted are standard  
 ■ specifications highlighted in grey are optional

**general specifications**

<b>ports</b>	FCF-K	flanges PN 16/40
<b>function</b>	NC	
<b>pressure range</b>	bar 0-16/0-40	
<b>Kv value</b>	m³/h 221	
<b>vacuum</b>	leak rate < 10 <sup>-4</sup> mbar·l·s <sup>-1</sup>	
<b>pressure-vacuum</b>	P <sub>1</sub> ↔ P <sub>2</sub>	pressure side max. 40 bar vacuum side leak rate < 10 <sup>-4</sup> mbar·l·s <sup>-1</sup>
<b>back pressure</b>	P <sub>2</sub> > P <sub>1</sub>	available (max. 16 bar)
<b>media</b>	emulsions - oils - neutral gases other medias upon request	
<b>abrasive media</b>		
<b>damping</b>	opening	
	closing	by throttles on pilot valve
<b>flow direction</b>	A ↔ B	as marked bi-directional upon request (max. 16 bar)
<b>switching cycles</b>	1/min	30
<b>switching time</b>	ms	opening 700-3000 closing 450-3000
<b>media temperature</b>	°C	direct mounted pilot valve 60 >60°C upon request
<b>ambient temperature</b>	°C	direct mounted pilot valve 50 >50°C upon request
<b>flush ports</b>		
<b>leak ports</b>		
<b>limit switches</b>		
<b>manual override</b>	via pilot valve	
<b>approvals</b>	upon request	
<b>mounting</b>		
<b>weight</b>	kg	FCF-K 42,0
<b>additional equipment</b>	sensor / manometer connection G 1/4	

**options**

**electrical specifications**

<b>nominal voltage</b>	U <sub>n</sub>	DC 24V	special voltage upon request
	U <sub>n</sub>	AC 230V 50 Hz	special voltage upon request
<b>power consumption</b>	DC	4,8 W	
	AC	pick up 11,0 VA holding 8,5 VA	
<b>protection</b>	IP 65 (P54)	acc. DIN 40 050	
<b>energized duty rating</b>	ED	100%	
<b>connection</b>		plug acc. DIN EN 175301-803 form B, 4 positions x 90° / wire diameter 6-8 mm	
<b>additional equipment</b>		illuminated plug with varistor	
<b>optional</b>	M12x1	connector acc. DESINA	connector acc. VDMA
<b>media</b>		60°C	
<b>ambient</b>		50°C	
<b>explosion proof</b>	EEx m II T5	nominal voltage U <sub>n</sub>	direct current 24 V 3,25 W
		power consumption	alternating current 230 V 50 Hz 2,90 W

**options**

**pneumatic specifications**

<b>actuation pressure range</b>	bar	4-10	3-10 upon request
<b>air consumption</b>	cm³/stroke	480	
<b>cycle speed</b>	main valve speed variable by throttles on pilot valve		
<b>control</b>	preferably 5/2-way pilot valve		
<b>pilot valve interface</b>	NAMUR VDI / VDE 3845		ISO 1 DIN 5599/1
<b>actuator ports</b>	2/4	G 1/4	G 3/8

**options**

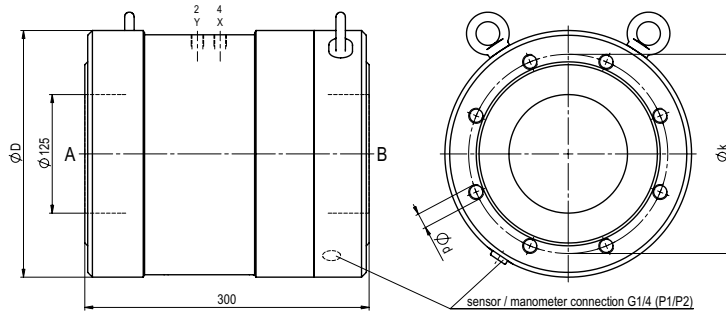
**hydraulic specifications**

<b>actuation pressure range</b>	bar	30-60
<b>by media</b>	preferably 4/2-way control valve	
<b>control</b>	X/Y	G 1/4
<b>actuator ports</b>		NPT 1/4

**options**

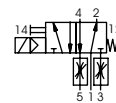
# type FCF-K 125

function: **NC**  
closed when not energized

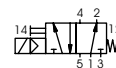


flanges PN	DIN	$\varnothing D$	$\varnothing k$	$\varnothing d$
16	2633	260	210	M16
40	2635	260	210	M16

## pneumatic actuation (separately)



5/2-way-pilot valve  
flow rate 700 l/min  
pressure range 3-10 bar G 1/8



5/2-way-pilot valve ISO 1  
flow rate 700 l/min  
pressure range 3-10 bar G 1/4

The application-specific layout relating to temperature, pressure conditions, switching behavior, media and its consistency may restrict the range of use or necessitate relevant modifications to materials used and seal arrangements.

Rights reserved to make technical alterations • Not responsible for printing errors • Detailed drawings can be obtained upon request